

Aloha Series *Office Furniture Collection*

By Rainbow Manufacturing
Established 1977



Aloha Series Price List *Effective July 1, 2024*

Rainbow Manufacturing Company Inc.
1504 West 58th Street
Los Angeles, California 90062

Customer Service
E-Mail
Website

(323) 778-2093
orders@rainbowdesks.com
rainbowdesks.com

Aloha Series

Made in the USA / Imported metal base

13 Thermally Fused Melamine finishes

3 metal base finishes

1-1/8" Melamine top with 2mm top edge.

1-1/8" Melamine pedestal sides.

Pedestal with lock and choice of handles.

Letter or legal filing on all drawers

Custom sizes and configurations are available.



Quick Ship



Aloha Series



Q
Quick Ship



Aloha Series Melamine Options

BLACK

WHITE

ICONIC MAPLE

PACIFIC DRIFTWOOD

STINSON DRIFTWOOD

CAPPUCCINO

CATCHING FIREFLIES

HARDROCK MAPLE

HAVANA WALNUT

COGNAC

LICORICE DRIFTWOOD

MAHOGANY

ABSOLUTE ACAJOU

Aloha Series

HANDLE OPTIONS

8" BAR PULL



BLACK 8" BAR PULL



ALUMINUM CURVE



BLACK CURVE



DIMPLE BOW



BLACK DIMPLE CURVE



ALUMINUM SHELL



BLACK SHELL



GROMMET OPTIONS

STANDARD ON SOME PRODUCT



2" GROMMET
GR-2-BLACK
\$40 LIST



2" GROMMET
GR-2-WHITE
\$40 LIST



3-1/8" GROMMET
GR-3-SILVER
\$50 LIST



3-1/8" GROMMET
GR-3-BLACK
\$50 LIST

Power / Data / Charging

PWR-PLUG-DC-101-V5-SILVER

\$800 List includes cutout



- 2 X AC PLUGS
- 1 X USB CHARGING ONLY
- 1 X USB C-TYPE CHARGING ONLY
- 1 X 3.0 USB PASS THROUGH
- 1 X HDMI PORT
- 2 X DATA (CAT 6)
- ROTATES TO OPEN AND CLOSE,
- 2 X AC PLUG ON BOTTOM-DAISY CHAINABLE
- 4-3/8" D X 11-3/4" W X 4-1/16" H
- CUTOUT SIZE 4-1/16" x 10-1/2"**
- REQUIRES 16" WIDE ACCESSIBLE BASE UPGRADE**



PWR-PLUG-DC-101-V5-BLACK

\$800 List includes cutout



- 2 X AC PLUGS
- 1 X USB CHARGING ONLY
- 1 X USB C-TYPE CHARGING ONLY
- 1 X 3.0 USB PASS THROUGH
- 1 X HDMI PORT
- 2 X DATA (CAT 6)
- ROTATES TO OPEN AND CLOSE,
- 2 X AC PLUG ON BOTTOM-DAISY CHAINABLE
- 4-3/8" D X 11-3/4" W X 4-1/16" H
- CUTOUT SIZE 4-1/16" x 10-1/2"**
- REQUIRES 16" WIDE ACCESSIBLE BASE UPGRADE**



Power / Data / Charging

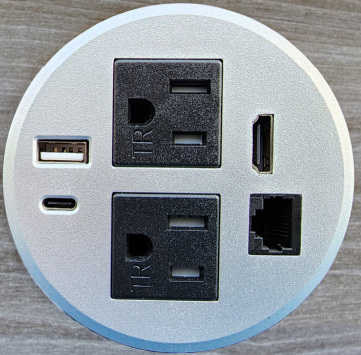
PWR-PLUG-DC-8689-V2



PWR-PLUG-DC-8689-V2-WHITE
\$250 LIST includes cutout



PWR-PLUG-DC-8689-V2-BLACK
\$250 LIST includes cutout



PWR-PLUG-DC-8689-V2-SILVER
\$250 LIST includes cutout
PWR-PLUG-DC-8689-V2

- 2 X TR AC PLUGS
- 1 X USB CHARGING ONLY
- 1 X USB C-TYPE CHARGING ONLY
- 1 X HDMI PORT
- 1 X DATA (CAT 6)
- 3-1/2" ROUND
- CUTOUT SIZE 3-1/8" ROUND**



PWR-PLUG-DC-8889-V2



PWR-PLUG-DC-8889-V2 WHITE
\$180 LIST includes cutout



PWR-PLUG-DC-8889-V2 BLACK
\$180 LIST includes cutout



PWR-PLUG-DC-8889-V2

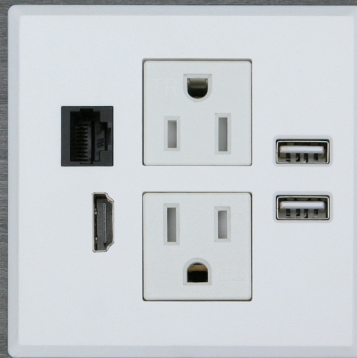
- 2 X TR AC PLUGS
- 1 X AC PLUG ON BOTTOM-DAISY CHAINABLE
- 3 X USB CHARGING ONLY
- 1 X USB C-TYPE CHARGING ONLY

3-1/2" ROUND

CUTOUT SIZE 3-1/8" ROUND



PWR-PLUG-DC-8589



PWR-PLUG-DC-8589-WHITE
\$240 LIST includes cutout



PWR-PLUG-DC-8589-SILVER
\$240 LIST includes cutout

PWR-PLUG-DC-8589

- 2 X TR AC PLUGS
- 2 X USB CHARGING ONLY
- 1 X HDMI PORT
- 1 X DATA (CAT 6)

3-1/2 X 3-1/2" SQUARE

CUTOUT SIZE 3-1/8" ROUND



Aloha Series Open Office System



- 1 WORK SURFACE-30X72-CATCHING FIREFLIES
- 2 O-LEG-30"-BLACK
- 1 LONG ADJUSTABLE BAR-SILVER

MODEL #	DIMENSIONS	DESCRIPTION	LIST PRICE
ALH -2448-OL	24 x 48	O-LEG DESK	1145
ALH -2460-OL	24 x 60		1240
ALH -2466-OL	24 x 66		1305
ALH -2472-OL	24 x 72		1370
ALH -3048-OL	30 x 48		1280
ALH -3060-OL	30 x 60		1375
ALH -3066-OL	30 x 66		1440
ALH -3072-OL	30 x 72		1505



- 1 WORK SURFACE-30X72-STINSON GREY
- 2 O-LEG-30"-BLACK
- 1 LONG ADJUSTABLE BAR-SILVER
- 1 MODESTY PANEL 11-3/4 X 66-BLACK

MODEL #	DIMENSIONS	DESCRIPTION	LIST PRICE
ALH -2448-OL-MP	24 x 48	O-LEG DESK WITH MODESTY PANEL	1395
ALH -2460-OL-MP	24 x 60		1500
ALH -2466-OL-MP	24 x 66		1575
ALH -2472-OL-MP	24 x 72		1650
ALH -3048-OL-MP	30 x 48		1530
ALH -3060-OL-MP	30 x 60		1635
ALH -3066-OL-MP	30 x 66		1710
ALH -3072-OL-MP	30 x 72		1785

Aloha Series Open Office System



- 1 WORK SURFACE-30X72-CATCHING FIREFLIES
- 2 O-LEG-30"-BLACK
- 1 LONG ADJUSTABLE BAR-SILVER
- 1 RETURN WORK SURFACE 24X48-CATCHING FIREFLIES
- 1 O-LEG-24"-BLACK
- 1 LONG ADJUSTABLE BAR-SILVER

MODEL #	DIMENSIONS	DESCRIPTION	LIST PRICE
ALH -3060-OL-2442-OL	30 x 60 / 24 x 42	O-LEG L-SHAPE DESK	2245
ALH -3066-OL-2442-OL	30 x 66 / 24 x 42		2310
ALH -3066-OL-2448-OL	30 x 66 / 24 x 48		2315
ALH -3072-OL-2442-OL	30 x 72 / 24 x 42	SPECIFY RIGHT OR LEFT RETURN	2375
ALH -3072-OL-2448-OL	30 x 72 / 24 x 48		2380



- 1 WORK SURFACE-30X72-STINSON GREY
- 2 O-LEG-30"-BLACK
- 1 LONG ADJUSTABLE BAR-SILVER
- 1 MODESTY PANEL 11-3/4 X 66-STINSON GREY
- 1 RETURN WORK SURFACE 24X48-STINSON GREY
- 1 O-LEG-24"-BLACK
- 1 LONG ADJUSTABLE BAR-SILVER

MODEL #	DIMENSIONS	DESCRIPTION	LIST PRICE
ALH -3060-OL-MP-2442-OL	30 x 60 / 24 x 42	O-LEG L-SHAPE WITH MODESTY PANEL	2505
ALH -3066-OL-MP-2442-OL	30 x 66 / 24 x 42		2580
ALH -3066-OL-MP-2448-OL	30 x 66 / 24 x 48		2585
ALH -3072-OL-MP-2442-OL	30 x 72 / 24 x 42	SPECIFY RIGHT OR LEFT RETURN	2655
ALH -3072-OL-MP-2448-OL	30 x 72 / 24 x 48		2660

Aloha Series Open Office System



MODEL #	DIMENSIONS	DESCRIPTION	LIST PRICE
ALH -2448-BBF-OL	24 x 48	O-LEG DESK WITH B/B/F PEDESTAL	2045
ALH -2460-BBF-OL	24 x 60		2110
ALH -2466-BBF-OL	24 x 66		2175
ALH -2472-BBF-OL	24 x 72		2240
ALH -3048-BBF-OL	30 x 48		2180
ALH -3060-BBF-OL	30 x 60		2245
ALH -3066-BBF-OL	30 x 66		2310
ALH -3072-BBF-OL	30 x 72	SPECIFY RIGHT OR LEFT PEDESTAL	2375



MODEL #	DIMENSIONS	DESCRIPTION	LIST PRICE
ALH -2448-MP-BBF-OL	24 x 48	O-LEG DESK WITH B/B/F PEDESTAL AND	2305
ALH -2460-MP-BBF-OL	24 x 60	MODESTY PANEL	2370
ALH -2466-MP-BBF-OL	24 x 66		2435
ALH -2472-MP-BBF-OL	24 x 72		2500
ALH -3048-MP-BBF-OL	30 x 48		2440
ALH -3060-MP-BBF-OL	30 x 60		2505
ALH -3066-MP-BBF-OL	30 x 66		2570
ALH -3072-MP-BBF-OL	30 x 72	SPECIFY RIGHT OR LEFT PEDESTAL	2635

Aloha Series Open Office System



MODEL #	DIMENSIONS	DESCRIPTION	LIST PRICE
ALH -3066-BBF/2442-OL	30 x 66 / 24 x 42	O-LEG L-SHAPE WITH B/B/F ON DESK	3180
ALH -3066-BBF/2448-OL	30 x 66 / 24 x 48		3185
ALH -3072-BBF/2442-OL	30 x 72 / 24 x 42	SPECIFY RIGHT OR LEFT RETURN	3245
ALH -3072-BBF/2448-OL	30 x 72 / 24 x 48		3250



MODEL #	DIMENSIONS	DESCRIPTION	LIST PRICE
ALH -3066-MP-BBF/2442-OL	30 x 66 / 24 x 42	O-LEG L-SHAPE WITH B/B/F ON DESK	3440
ALH -3066-MP-BBF/2448-OL	30 x 66 / 24 x 48	WITH MODESTY PANEL	3445
ALH -3072-MP-BBF/2442-OL	30 x 72 / 24 x 42	SPECIFY RIGHT OR LEFT RETURN	3505
ALH -3072-MP-BBF/2448-OL	30 x 72 / 24 x 48		3510

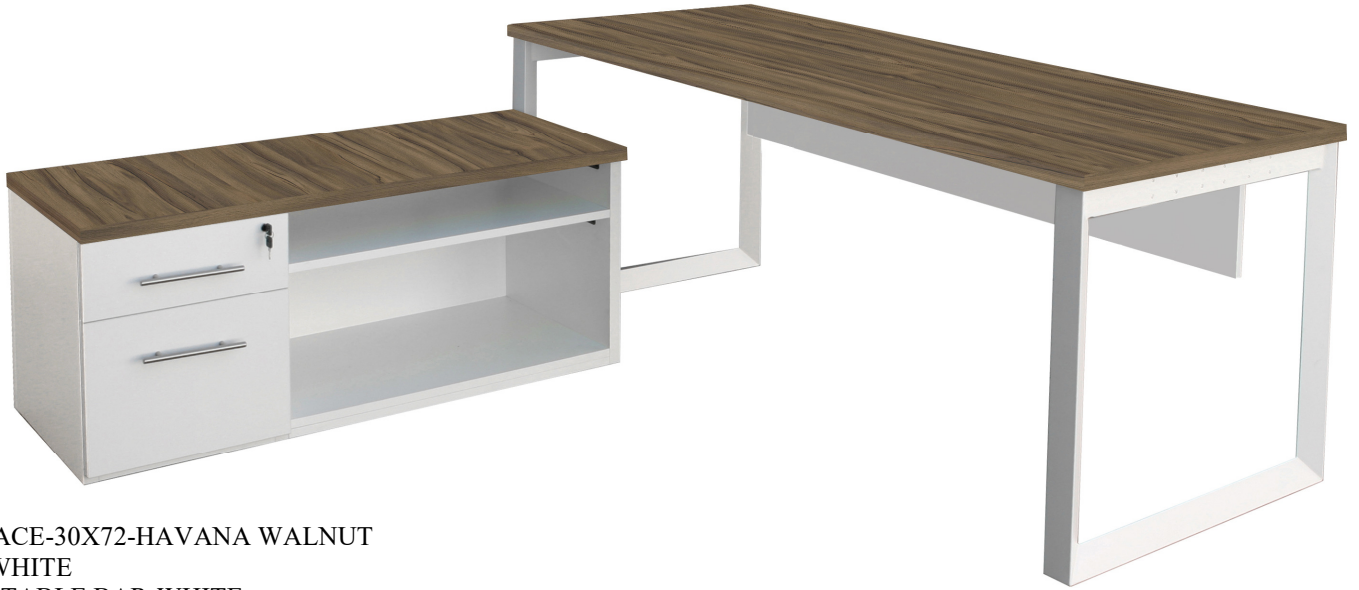
Aloha Series Open Office System



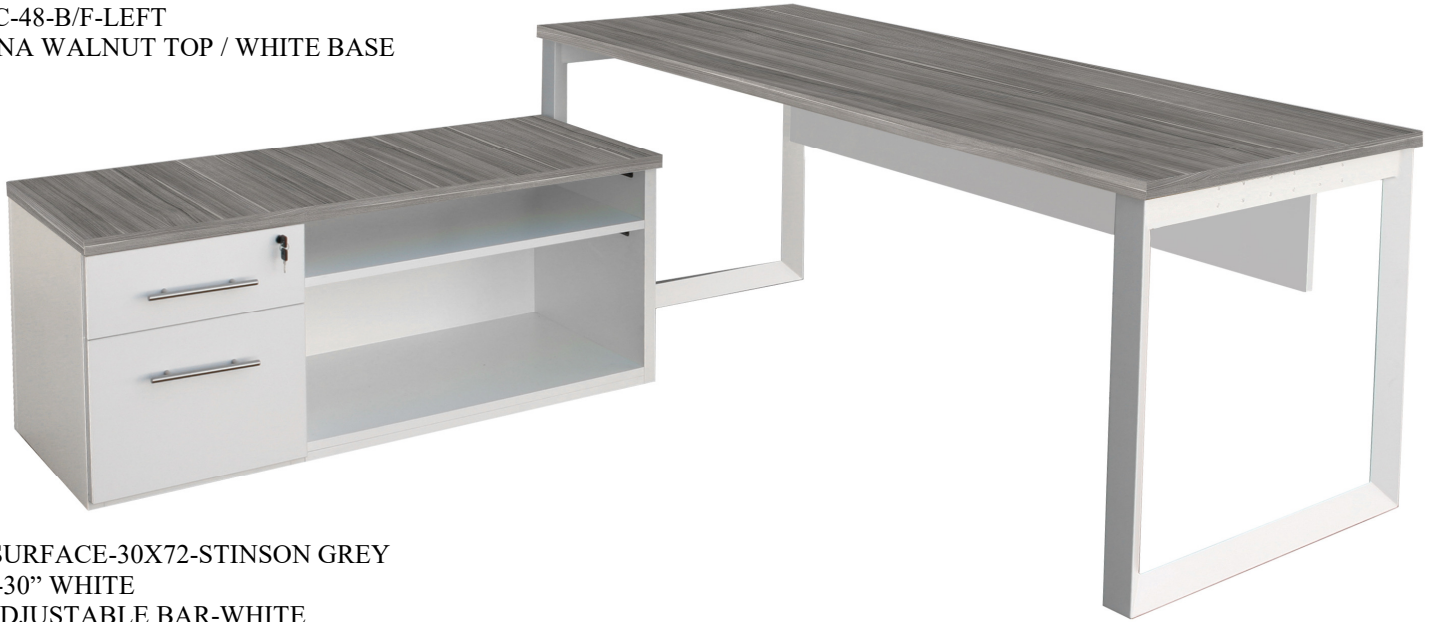
- 1 WORK SURFACE-30X72-ICONIC MAPLE
- 2 O-LEG-30"-SILVER
- 1 LONG ADJUSTABLE BAR-SILVER
- 1 MODESTY PANEL 11-3/4" X 66"- ICONIC MAPLE
- 1 ALH-20X48-RETURN-B/B/F-LEFT-ICONIC MAPLE

MODEL #	DIMENSIONS	DESCRIPTION	LIST PRICE
ALH -3060-OL-MP-2042-BBF	30 x 60 / 20 x 42	O-LEG L-SHAPE WITH MODESTY PANEL	2985
ALH -3060-OL-MP-2048-BBF	30 x 60 / 20 x 48	AND B/B/F RETURN	3035
ALH -3066-OL-MP-2042-BBF	30 x 66 / 20 x 42		3060
ALH -3066-OL-MP-2048-BBF	30 x 66 / 20 x 48		3110
ALH -3072-OL-MP-2042-BBF	30 x 72 / 20 x 42		3135
ALH -3072-OL-MP-2048-BBF	30 x 72 / 20 x 48		3185
ALH -3060-OL-MP-2442-BBF	30 x 60 / 24 x 42		3135
ALH -3060-OL-MP-2448-BBF	30 x 60 / 24 x 48		3185
ALH -3066-OL-MP-2442-BBF	30 x 66 / 24 x 42		3210
ALH -3066-OL-MP-2448-BBF	30 x 66 / 24 x 48		3260
ALH -3072-OL-MP-2442-BBF	30 x 72 / 24 x 42		3285
ALH -3072-OL-MP-2448-BBF	30 x 72 / 24 x 48	SPECIFY RIGHT OR LEFT RETURN	3335

Aloha Series Open Office System



- 1 WORK SURFACE-30X72-HAVANA WALNUT
- 2 O-LEGS-30" WHITE
- 1 LONG ADJUSTABLE BAR-WHITE
- 1 MODESTY PANEL 11-3/4" X 66"
- 1 ALH-LC-48-B/F-LEFT
HAVANA WALNUT TOP / WHITE BASE



- 1 WORK SURFACE-30X72-STINSON GREY
- 2 O-LEGS-30" WHITE
- 1 LONG ADJUSTABLE BAR-WHITE
- 1 MODESTY PANEL 11-3/4" X 66"
- 1 ALH-LC-48-B/F-LEFT
STINSON GREY TOP / WHITE BASE

MODEL #	DIMENSIONS	DESCRIPTION	LIST PRICE
ALH -2448-OL-MP	24 x 48	O-LEG DESK WITH MODESTY PANEL	1395
ALH -2460-OL-MP	24 x 60		1500
ALH -2466-OL-MP	24 x 66		1575
ALH -2472-OL-MP	24 x 72		1650
ALH -3048-OL-MP	30 x 48		1530
ALH -3060-OL-MP	30 x 60		1635
ALH -3066-OL-MP	30 x 66		1710
ALH -3072-OL-MP	30 x 72		1785
ALH-LC-48-B/F-LEFT	20 X 48 X 21"H	LOW CREDENZA	1950

Aloha Series Open Office System



MODEL #	DIMENSIONS	DESCRIPTION	LIST PRICE
ALH -3048-OL-MP	30 x 48	DESK SHELL WITH MODESTY PANEL	1530
ALH -3060-OL-MP	30 x 60		1635
ALH -3066-OL-MP	30 x 66		1710
ALH -3072-OL-MP	30 x 72		1785
GR-2-BLACK		2" BLACK GROMMET	40
	D x W x H	FREE STANDING PEDESTAL	
ALH-FSP-20-BBF-26	20 X 16.375 X 26"H		1200
ALH-FSP-20-FF-26	20 X 16.375 X 26"H		1200
ALH-FSP-23-BBF-26	23 X 16.375 X 26"H		1250
ALH-FSP-23-FF-26	23 X 16.375 X 26"H		1250

Aloha Series Open Office System

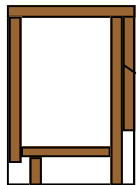


MODEL #	DIMENSIONS	DESCRIPTION	LIST PRICE
ALH -3066-OL-MP-2442-OL	30 x 66 / 24 x 42	L-SHAPE WITH MODESTY PANEL	2580
ALH -3066-OL-MP-2448-OL	30 x 66 / 24 x 48		2585
ALH -3072-OL-MP-2442-OL	30 x 72 / 24 x 42	SPECIFY RIGHT OR LEFT RETURN	2655
ALH -3072-OL-MP-2448-OL	30 x 72 / 24 x 48		2660
GR-2-BLACK		2" BLACK GROMMET	40
D x W x H		FREE STANDING PEDESTAL	
ALH-FSP-20-BBF-26	20 X 16.375 X 26"H		1200
ALH-FSP-20-FF-26	20 X 16.375 X 26"H		1200
ALH-FSP-23-BBF-26	23 X 16.375 X 26"H		1250
ALH-FSP-23-FF-26	23 X 16.375 X 26"H		1250
WALL MOUNT WITH FRENCH CLEAT			
FRENCH CLEAT			
WMH-36-2DR	14.50 x 36 x 19.50	REQUIRES PROFESSIONAL INSTALLATION MUST BE MOUNTED TO WALL STUDS NO MOUNTING HARDWARE INCLUDED INSIDE CLEARANCE 12"D X 15"H	1600
WMH-42-2DR	14.50 x 42 x 19.50		1700
WMH-48-4DR	14.50 x 48 x 19.50		1800
WMH-60-4DR	14.50 x 60 x 19.50		2300
WMH-66-4DR	14.50 x 66 x 19.50		2400
WMH-72-4DR	14.50 x 72 x 19.50	2500	

Aloha Series Open Office System



MODEL #	DIMENSIONS	DESCRIPTION	LIST PRICE
ALH -3066-OL-MP-2442-24X66-OL	30 x 66 / 24 x 42 / 24X66	U-SHAPE WITH MODESTY PANEL	3855
ALH -3066-OL-MP-2448-24X66-OL	30 x 66 / 24 x 48 / 24X66		3860
ALH -3072-OL-MP-2442-24X72-OL	30 x 72 / 24 x 42 / 24X72	SPECIFY RIGHT OR LEFT RETURN	4005
ALH -3072-OL-MP-2448-24X72-OL	30 x 72 / 24 x 48 / 24X72		4010
GR-2-BLACK		2" BLACK GROMMET	40
D x W x H		FREE STANDING PEDESTAL	
ALH-FSP-20-BBF-26	20 X 16.375 X 26"H		1200
ALH-FSP-20-FF-26	20 X 16.375 X 26"H		1200
ALH-FSP-23-BBF-26	23 X 16.375 X 26"H		1250
ALH-FSP-23-FF-26	23 X 16.375 X 26"H		1250
		FREE STANDING PERSONAL PEDESTAL	
ALH-FSP-20-PP-26	20 X 32.625 X 26"H	PERSONAL PEDESTAL BBF / FF	2400
		WALL MOUNT WITH FRENCH CLEAT	
FRENCH CLEAT			
WMH-36-2DR	14.50 x 36 x 19.50	REQUIRES PROFESSIONAL INSTALLATION MUST BE MOUNTED TO WALL STUDS NO MOUNTING HARDWARE INCLUDED INSIDE CLEARANCE 12"D X 15"H	1600
WMH-42-2DR	14.50 x 42 x 19.50		1700
WMH-48-4DR	14.50 x 48 x 19.50		1800
WMH-60-4DR	14.50 x 60 x 19.50		2300
WMH-66-4DR	14.50 x 66 x 19.50		2400
WMH-72-4DR	14.50 x 72 x 19.50		2500



Aloha Series Open Office System

WMH-72-4DR



GR-2-BLACK

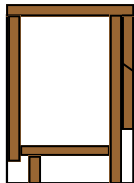


ALH-FSP-23-BBF-26

ALH-FSP-20-LF-26

MODEL #	DIMENSIONS	DESCRIPTION	LIST PRICE
ALH -3066-OL-MP-2442-24X66-OL	30 x 66 / 24 x 42 / 24X66	U-SHAPE WITH MODESTY PANEL	3855
ALH -3066-OL-MP-2448-24X66-OL	30 x 66 / 24 x 48 / 24X66		3860
ALH -3072-OL-MP-2442-24X72-OL	30 x 72 / 24 x 42 / 24X72	SPECIFY RIGHT OR LEFT RETURN	4005
ALH -3072-OL-MP-2448-24X72-OL	30 x 72 / 24 x 48 / 24X72		4010
GR-2-BLACK		2" BLACK GROMMET	40
D x W x H		FREE STANDING PEDESTAL	
ALH-FSP-20-BBF-26	20 X 16.375 X 26"H		1200
ALH-FSP-20-FF-26	20 X 16.375 X 26"H		1200
ALH-FSP-23-BBF-26	23 X 16.375 X 26"H		1250
ALH-FSP-23-FF-26	23 X 16.375 X 26"H		1250
		FREE STANDING LATERAL FILE	
ALH-FSP-20-LF-26	20 X 30 X 26"H	LATERAL FILE	1585
		WALL MOUNT WITH FRENCH CLEAT	
WMH-36-2DR	14.50 x 36 x 19.50	REQUIRES PROFESSIONAL INSTALLATION	1600
WMH-42-2DR	14.50 x 42 x 19.50	MUST BE MOUNTED TO WALL STUDS	1700
WMH-48-4DR	14.50 x 48 x 19.50	NO MOUNTING HARDWARE INCLUDED	1800
WMH-60-4DR	14.50 x 60 x 19.50		2300
WMH-66-4DR	14.50 x 66 x 19.50	INSIDE CLEARANCE 12"D X 15"H	2400
WMH-72-4DR	14.50 x 72 x 19.50		2500

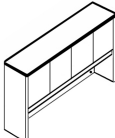
FRENCH CLEAT



Aloha Series Open Office System



- 1 WORK SURFACE-30X72-STINSON GREY
- 2 O-LEG-30"-WHITE
- 1 LONG ADJUSTABLE BAR-WHITE
- 1 MODESTY PANEL 11-3/4 X 66-WHITE
- 1 ALH 20X48 BRIDGE
- 1 ALH 20X72 U SHAPE CREDENZA WITH GROMMET
- 1 CUN 14X72X42"H HUTCH WITH 4 DOORS (not included in price)

O-LEG DESK / CREDENZA "U" SHAPE				
MODEL #	DESCRIPTION			LIST PRICE
ALH-OL-U-3060-D-MP/CR-1				4352
30 x 60 DESK-WITH MODESTY PANEL, 20X42 BRIDGE, 20X60 CREDENZA –B/B/F				
ALH-OL-U-3066-D-MP/CR-1				4443
30 x 66 DESK-WITH MODESTY PANEL, 20X42 BRIDGE, 20X66 CREDENZA –B/B/F				
ALH-OL-U-3072-D-MP/CR-1				4585
30 x 72 DESK-WITH MODESTY PANEL, 20X48 BRIDGE, 20X72 CREDENZA –B/B/F				
SPECIFY RIGHT OR LEFT BRIDGE				
HUTCH WITH DOORS 42" HIGH	MODEL #	D x W x H	DESCRIPTION	LIST
	ALH-H4260-4	14 x 60 x 42	FOUR HINGED DOORS	1900
	ALH-H4266-4	14 x 66 x 42	3" VALANCE	1950
	ALH-H4272-4	14 x 72 x 42	FULL BACK WITH 2 GROMMETS	2000

Aloha Series Open Office System



- 1 WORK SURFACE-30X60-CATCHING FIREFLIES
- 2 V-LEG-24"-BLACK
- 1 LONG ADJUSTABLE BAR-SILVER
- 1 ALH-20X42-RETURN-B/B/F-RIGHT
CATCHING FIREFLIES TOP / BLACK BASE



MODEL #	DIMENSIONS	DESCRIPTION	LIST PRICE
ALH -3060-VL-2042-BBF	30 x 60 / 20 x 42	V-LEG L-SHAPE WITH B/B/F RETURN	2585
ALH -3060-VL-2048-BBF	30 x 60 / 20 x 48		2635
ALH -3066-VL-2042-BBF	30 x 66 / 20 x 42		2650
ALH -3066-VL-2048-BBF	30 x 66 / 20 x 48		2700
ALH -3072-VL-2042-BBF	30 x 72 / 20 x 42		2715
ALH -3072-VL-2048-BBF	30 x 72 / 20 x 48		2765
ALH -3060-VL-2442-BBF	30 x 60 / 24 x 42		2735
ALH -3060-VL-2448-BBF	30 x 60 / 24 x 48		2785
ALH -3066-VL-2442-BBF	30 x 66 / 24 x 42		2800
ALH -3066-VL-2448-BBF	30 x 66 / 24 x 48		2850
ALH -3072-VL-2442-BBF	30 x 72 / 24 x 42		2865
ALH -3072-VL-2448-BBF	30 x 72 / 24 x 48	SPECIFY RIGHT OR LEFT RETURN	2915

Aloha Series Open Office System

- 3 WORK SURFACE-30X72
- 3 RETURN WORK SURFACE 24X48
- 7 V-LEG-24"-SILVER
- 6 LONG ADJUSTABLE BAR
- 3 ALH-MOBILE PEDS 23" DEEP



- 3 WORK SURFACE-30X72
- 4 V-LEG-24"-BLACK
- 3 LONG ADJUSTABLE BAR-SILVER
- 3 ALH-24X48-RETURN-B/B/F-RIGHT



- 3 WORK SURFACE-30X72
- 4 V-LEG-24"-SILVER
- 3 LONG ADJUSTABLE BAR
- 3 ALH-MOBILE PEDS 23" DEEP



Aloha Series Open Office System



SINGLE TABLE

L-SHAPE

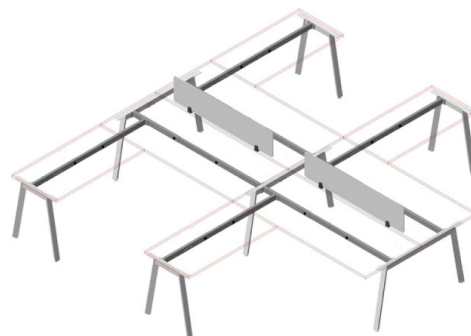
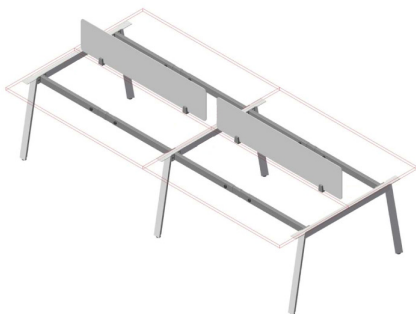
SINGLE ROW-2- L-SHAPES



SINGLE ROW-2 TOPS

SINGLE ROW-3- L-SHAPES

SINGLE ROW-4- L-SHAPES



DOUBLE SIDED-4-TOPS
WITH PRIVACY SCREENS

DOUBLE SIDED-4- L-SHAPES
WITH PRIVACY SCREENS

DOUBLE SIDED-6- L-SHAPES
WITH PRIVACY SCREENS

Aloha Series Open Office System

MELAMINE TOPS 1-1/8" THICK

WORKSURFACE

RETURN WORKSURFACE



29-5/8" HIGH

PRICE FOR TOPS PURCHASED WITH ALOHA SERIES BASES

MODEL #	TOP SIZE	LIST PRICE
WORKSURFACE		
WS-TOP-2448	24X48	395
WS-TOP-2454	24X54	455
WS-TOP-2460	24X60	460
WS-TOP-2466	24X66	525
WS-TOP-2472	24X72	590
WS-TOP-3048	30X48	430
WS-TOP-3054	30X54	490
WS-TOP-3060	30X60	495
WS-TOP-3066	30X66	560
WS-TOP-3072	30X72	625
RETURN WORKSURFACE		
RWS-TOP-2436	24X36	385
RWS-TOP-2442	24X42	390
RWS-TOP-2448	24X48	395
RWS-TOP-2454	24X54	455
RWS-TOP-2460	24X60	460

Aloha Series Open Office System

IMPORTED METAL FRAME 28-1/2" HIGH



AVAILABLE FINISHES

SILVER BASE WITH SILVER SUPPORT BAR

BLACK BASE WITH SILVER SUPPORT BAR

WHITE BASE WITH WHITE SUPPORT BAR

V-LEG-24 LIST PRICE \$280
V-LEG-48 LIST PRICE \$480

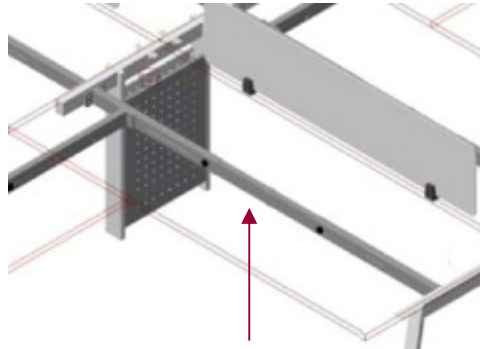
O-LEG-24 LIST PRICE \$300
O-LEG-30 LIST PRICE \$350
O-LEG-48 LIST PRICE \$530
O-LEG-60 LIST PRICE \$580



ADJUSTS FROM 37-3/8" TO 53-1/8"
FOR USE WITH WORKSURFACE TOPS 42" TO 54"

RETURN WORKSURFACE
CALL FACTORY FOR DETAILS

BM-SHORT
LIST PRICE \$150



ADJUSTS FROM 53-1/8" TO 78-3/4"
FOR USE WITH WORK SURFAC TOPS 60" TO 72"

RETURN WORK SURFACE
48" to 60"

BM-LONG
LIST PRICE \$180



MODESTY PANEL -3/4" TFM

11-3/4" BELOW
WORK SURFACE

FOR TOP SIZE

LIST PRICE



ALH-MP-11-3/4 X 42	24X48-30X48	240
ALH-MP-11-3/4 X 48	24X54-30X54	250
ALH-MP-11-3/4 X 54	24X60-30X60	260
ALH-MP-11-3/4 X 60	24X66-30X66	270
ALH-MP-11-3/4 X 66	24X72-30X72	280

Aloha Series Open Office System

LOW CREDENZA

MODEL

SIZE

LIST PRICE



RIGHT



LEFT

	MODEL #	SIZE D x W x H	LIST PRICE
	ALH-LC-48-B/F-RIGHT	20 X 48 X 21”H	1950
	ALH-LC-48-B/F-LEFT	20 X 48 X 21”H	1950
	ALH-LC-60-LF-RIGHT	20 X 60 X 21”H	2450
	ALH-LC-60-LF-LEFT	20 X 60 X 21”H	2450
	ALH-LC-66-LF-RIGHT	20 X 66 X 21”H	2475
	ALH-LC-66-LF-LEFT	20 X 66 X 21”H	2475
	ALH-LC-72-LF-RIGHT	20 X 72 X 21”H	2500
	ALH-LC-72-LF-LEFT	20 X 72 X 21”H	2500

PEDESTAL

MODEL

SIZE

LIST PRICE

D x W x H



ALH-FSP-21-BF



ALH-MOBILE PED-23-BF

	MODEL #	SIZE D x W x H	LIST PRICE
	ALH-FSP-21-BF	23 X 16.375 X 21”H	900
	ALH-MOBILE PED-23-BF	23 X 16.375 X 23”H	950

RETURN WITH B/B/F

MODEL

SIZE


DESCRIPTION


LIST PRICE





ALH-2036-R-BBF	20 x 36 x 29-5/8”	RETURN WITH BOX BOX FILE PEDESTAL	1333
ALH-2042-R-BBF	20 x 42 x 29-5/8”	LOCK INCLUDED	1350
ALH-2048-R-BBF	20 x 48 x 29-5/8”	SPECIFY RIGHT OR LEFT RETURN	1400
ALH-2060-R-BBF	20 x 60 x 29-5/8”		1650
ALH-2436-R-BBF	24 x 36 x 29-5/8”		1483
ALH-2442-R-BBF	24 x 42 x 29-5/8”		1500
ALH-2448-R-BBF	24 x 48 x 29-5/8”		1550
ALH-2460-R-BBF	24 x 60 x 29-5/8”		1800

Aloha Series Open Office System

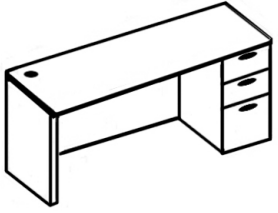
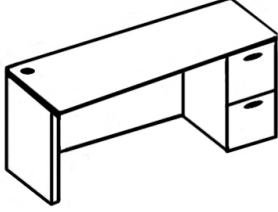
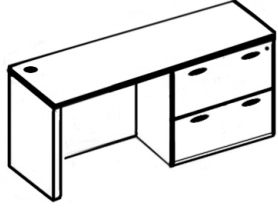
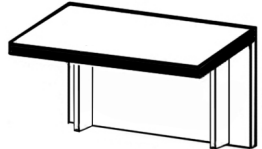
PEDESTAL 26"H	MODEL #	SIZE	DESCRIPTION	LIST PRICE
	ALH-FSP-20-BBF-26	20 X 16.375 X 26"H	26"H FREE STANDING PEDESTAL	1200
	ALH-FSP-23-BBF-26	23 X 16.375 X 26"H	B/B/F WITH LOCK	1250

PEDESTAL 26"H	MODEL #	SIZE	DESCRIPTION	LIST PRICE
	ALH-FSP-20-FF-26	20 X 16.375 X 26"H	26"H FREE STANDING PEDESTAL	1200
	ALH-FSP-23-FF-26	23 X 16.375 X 26"H	F/F WITH LOCK	1250

LATERAL FILE 26"H	MODEL #	SIZE	DESCRIPTION	LIST PRICE
	ALH-FSP-20-LF-26	20 X 30 X 26"H	26"H FREE STANDING LATERAL FILE WITH LOCK	1585

PERSONAL PEDESTAL 26"H	MODEL #	SIZE	DESCRIPTION	LIST PRICE
	ALH-FSP-20-PP-26	20 X 32.625 X 26"H	26"H FREE STANDING PERSONAL PEDESTAL	2400
			BBF / FF WITH LOCKS	

Aloha Series Open Office System

	MODEL #	DIMENSIONS	DESCRIPTION	LIST PRICE
U-SHAPE CREDENZAS		D x W x H		
	ALH -CR-2060-BBF	20 x 60 x 29-5/8"		1967
	ALH -CR-2066-BBF	20 x 66 x 29-5/8"	BOX-BOX-FILE PEDESTAL	1983
	ALH -CR-2072-BBF	20 x 72 x 29-5/8"	LOCK INCLUDED SPECIFY RIGHT OR LEFT PEDESTAL	2000
	ALH -CR-2460-BBF	24 x 60 x 29-5/8"		2167
	ALH -CR-2466-BBF	24 x 66 x 29-5/8"	1 GROMMET ON TOP	2183
	ALH -CR-2472-BBF	24 x 72 x 29-5/8"		2200
	ALH -CR-2060-FF	20 x 60 x 29-5/8"	FILE-FILE PEDESTAL	1967
	ALH -CR-2066-FF	20 x 66 x 29-5/8"	LOCK INCLUDED	1983
	ALH -CR-2072-FF	20 x 72 x 29-5/8"	SPECIFY RIGHT OR LEFT PEDESTAL	2000
	ALH -CR-2460-FF	24 x 60 x 29-5/8"	1 GROMMET ON TOP	2167
	ALH -CR-2466-FF	24 x 66 x 29-5/8"		2183
	ALH -CR-2472-FF	24 x 72 x 29-5/8"		2200
	ALH -CR-2060-LF	20 x 60 x 29-5/8"	WITH 35-3/4" TWO DRAWER LATERAL	2400
	ALH -CR-2066-LF	20 x 66 x 29-5/8"	FILE	2417
	ALH -CR-2072-LF	20 x 72 x 29-5/8"	LOCK INCLUDED	2433
	ALH -CR-2460-LF	24 x 60 x 29-5/8"	SPECIFY RIGHT OR LEFT LATERAL FILE	2600
	ALH -CR-2466-LF	24 x 66 x 29-5/8"	1 GROMMET ON TOP	2617
	ALH -CR-2472-LF	24 x 72 x 29-5/8"		2633
BRIDGE				
	ALH -BR-2036	20 x 36 x 29-5/8"	BRIDGE WITH FULL MODESTY	733
	ALH -BR-2042	20 x 42 x 29-5/8"	PANEL	750
	ALH -BR-2048	20 x 48 x 29-5/8"		800
	ALH -BR-2060	20 x 60 x 29-5/8"		1067
	ALH -BR-2436	24 x 36 x 29-5/8"	BRIDGE WITH FULL MODESTY	833
	ALH -BR-2442	24 x 42 x 29-5/8"	PANEL	850
	ALH -BR-2448	24 x 48 x 29-5/8"		900
	ALH -BR-2460	24 x 60 x 29-5/8"		1167
			SPECIFY RIGHT OR LEFT BRIDGE	



Aloha Series 42" High Tables With Metal V Legs



DUAL ADJUSTABLE BEAMS



Standard Features

- 1-1/8" Melamine tops made in the USA
- Triangular metal tube frame
- Extremely sturdy with dual adjustable beams
- Base available in white or silver finishes
- Quick Ship

MODEL #	TOP DIMENSIONS	DESCRIPTION	LIST PRICE
ALH-42-VL-804-3060	30" x 60"	ONE PIECE TOP 2 METAL V LEGS, 2 BM-LONG	1870
ALH-42-VL-804-3066	30" x 66"	ONE PIECE TOP 2 METAL V LEGS, 2 BM-LONG	1935
ALH-42-VL-804-3072	30" x 72"	ONE PIECE TOP 2 METAL V LEGS, 2 BM-LONG	2000
ALH-42-VL-804-3078	30" x 78"	ONE PIECE TOP 2 METAL V LEGS, 2 BM-LONG	2100
ALH-42-VL-804-3084	30" x 84"	ONE PIECE TOP 2 METAL V LEGS, 2 BM-LONG	2200

Aloha Series 42" High Conference Tables With Metal V Legs



- Silver
- white

MODEL #	TOP DIMENSIONS	DESCRIPTION	LIST PRICE
ALH-42-VL-804-4272	42" x 72"	ONE PIECE TOP 2 METAL V LEGS, 2 BM SHORT	2440
ALH-42-VL-804-4284	42" x 84"	ONE PIECE TOP 2 METAL V LEGS, 2 BM SHORT	2460
ALH-42-VL-804-4296	42" x 96"	ONE PIECE TOP 2 METAL V LEGS, 2 BM-LONG	2500
ALH-42-VL-804-42120-2P	42" x 120"	TWO PIECE TOP 3 METAL V LEGS, 4 BM SHORT	3940
ALH-42-VL-804-48120-2P	48" x 120"	TWO PIECE TOP 3 METAL V LEGS, 4 BM SHORT	4260
ALH-42-VL-804-48144-2P	48" x 144"	TWO PIECE TOP 3 METAL V LEGS, 4 BM LONG	4600
ALH-42-VL-804-48168-2P	48" x 168"	TWO PIECE TOP 3 METAL V LEGS, 4 BM LONG	4960
ALH-42-VL-804-48192-2P	48" x 192"	TWO PIECE TOP 3 METAL V LEGS, 4 BM LONG	5200

Acrylic Screens Clamps

EDGE CLAMP

PANEL CLAMP



DUAL FUNCTION-EDGE CLAMP / PANEL CLAMP

EC/PC-SILVER

\$60.00 LIST EACH



Adjustable from 1" to 1-1/2" thick

ADJUSTABLE EDGE CLAMP

AEC-SILVER
AEC-WHITE
AEC-BLACK

\$60 LIST EACH
\$60 LIST EACH
\$60 LIST EACH

Clear Acrylic Screens

.236-CLEAR ACRYLIC PANEL-FILED SQUARE CORNERS-SANDED EDGES

NUMBER OF CLAMPS
REQUIRED TO BE PURCHASED

MODEL #

SIZE

LIST PRICE

H X W

2	.236-CAP-24X20	23.75 X 19.75	\$160
---	----------------	---------------	-------

2	.236-CAP-24X24	23.75 X 23.75	\$160
---	----------------	---------------	-------

2	.236-CAP-24X30	23.75 X 29.75	\$215
---	----------------	---------------	-------

2	.236-CAP-24X36	23.75 X 35.75	\$240
---	----------------	---------------	-------

2	.236-CAP-24X42	23.75 X 41.75	\$320
---	----------------	---------------	-------

2	.236-CAP-24X48	23.75 X 47.75	\$320
---	----------------	---------------	-------

3 (4 WITH WATERFALL CUTOUT)	.236-CAP-24X60	23.75 X 59.75	\$400
-------------------------------	----------------	---------------	-------

3 (4 WITH WATERFALL CUTOUT)	.236-CAP-24X66	23.75 X 65.75	\$480
-------------------------------	----------------	---------------	-------

3 (4 WITH WATERFALL CUTOUT)	.236-CAP-24X72	23.75 X 71.75	\$480
-------------------------------	----------------	---------------	-------

3 (4 WITH WATERFALL CUTOUT)	.236-CAP-24X84	23.75 X 83.75	\$640
-------------------------------	----------------	---------------	-------

3 (4 WITH WATERFALL CUTOUT)	.236-CAP-24X96	23.75 X 95.75	\$640
-------------------------------	----------------	---------------	-------

H X W

2	.236-CAP-16X20	15.75 X 19.75	\$135
---	----------------	---------------	-------

2	.236-CAP-16X24	15.75 X 23.75	\$135
---	----------------	---------------	-------

2	.236-CAP-16X30	15.75 X 29.75	\$185
---	----------------	---------------	-------

2	.236-CAP-16X36	15.75 X 35.75	\$200
---	----------------	---------------	-------

2	.236-CAP-16X42	15.75 X 41.75	\$270
---	----------------	---------------	-------

2	.236-CAP-16X48	15.75 X 47.75	\$270
---	----------------	---------------	-------

2	.236-CAP-16X60	15.75 X 59.75	\$340
---	----------------	---------------	-------

3	.236-CAP-16X66	15.75 X 65.75	\$400
---	----------------	---------------	-------

3	.236-CAP-16X72	15.75 X 71.75	\$400
---	----------------	---------------	-------

3	.236-CAP-16X84	15.75 X 83.75	\$540
---	----------------	---------------	-------

3	.236-CAP-16X96	15.75 X 95.75	\$540
---	----------------	---------------	-------

H X W

2	.236-CAP-12X20	11.75 X 19.75	\$120
---	----------------	---------------	-------

2	.236-CAP-12X24	11.75 X 23.75	\$120
---	----------------	---------------	-------

2	.236-CAP-12X30	11.75 X 29.75	\$160
---	----------------	---------------	-------

2	.236-CAP-12X36	11.75 X 35.75	\$185
---	----------------	---------------	-------

2	.236-CAP-12X42	11.75 X 41.75	\$240
---	----------------	---------------	-------

2	.236-CAP-12X48	11.75 X 47.75	\$240
---	----------------	---------------	-------

2	.236-CAP-12X60	11.75 X 59.75	\$305
---	----------------	---------------	-------

3	.236-CAP-12X66	11.75 X 65.75	\$360
---	----------------	---------------	-------

3	.236-CAP-12X72	11.75 X 71.75	\$360
---	----------------	---------------	-------

3	.236-CAP-12X84	11.75 X 83.75	\$480
---	----------------	---------------	-------

3	.236-CAP-12X96	11.75 X 95.75	\$480
---	----------------	---------------	-------

4" X 16" TRANSACTION CUTOUT	CUTOUT-4X16		\$150
-----------------------------	-------------	--	-------

4" X 37" WATERFALL CUTOUT	WATERFALL CUTOUT-4X37		\$150
---------------------------	-----------------------	--	-------

Custom sizes are available, please call for a quote.

Frosted Acrylic Screens

.236-FROSTED ACRYLIC PANEL-FILED SQUARE CORNERS-SANDED EDGES

NUMBER OF CLAMPS
REQUIRED TO BE PURCHASED

MODEL #

SIZE

LIST PRICE

H X W

2	.236-FAP-24X20	23.75 X 19.75	\$200
2	.236-FAP-24X24	23.75 X 23.75	\$200
2	.236-FAP-24X30	23.75 X 29.75	\$270
2	.236-FAP-24X36	23.75 X 35.75	\$300
2	.236-FAP-24X42	23.75 X 41.75	\$400
2	.236-FAP-24X48	23.75 X 47.75	\$400
3	.236-FAP-24X60	23.75 X 59.75	\$500
3	.236-FAP-24X66	23.75 X 65.75	\$600
3	.236-FAP-24X72	23.75 X 71.75	\$600
3	.236-FAP-24X84	23.75 X 83.75	\$800
3	.236-FAP-24X96	23.75 X 95.75	\$800

H X W

2	.236-FAP-16X20	15.75 X 19.75	\$175
2	.236-FAP-16X24	15.75 X 23.75	\$175
2	.236-FAP-16X30	15.75 X 29.75	\$230
2	.236-FAP-16X36	15.75 X 35.75	\$255
2	.236-FAP-16X42	15.75 X 41.75	\$345
2	.236-FAP-16X48	15.75 X 47.75	\$345
2	.236-FAP-16X60	15.75 X 59.75	\$425
3	.236-FAP-16X66	15.75 X 65.75	\$505
3	.236-FAP-16X72	15.75 X 71.75	\$505
3	.236-FAP-16X84	15.75 X 83.75	\$680
3	.236-FAP-16X96	15.75 X 95.75	\$680

H X W

2	.236-FAP-12X20	11.75 X 19.75	\$150
2	.236-FAP-12X24	11.75 X 23.75	\$150
2	.236-FAP-12X30	11.75 X 29.75	\$200
2	.236-FAP-12X36	11.75 X 35.75	\$230
2	.236-FAP-12X42	11.75 X 41.75	\$305
2	.236-FAP-12X48	11.75 X 47.75	\$305
2	.236-FAP-12X60	11.75 X 59.75	\$375
3	.236-FAP-12X66	11.75 X 65.75	\$460
3	.236-FAP-12X72	11.75 X 71.75	\$460
3	.236-FAP-12X84	11.75 X 83.75	\$600
3	.236-FAP-12X96	11.75 X 95.75	\$600

Custom sizes are available, please call for a quote.

Terms & Conditions of Sale

TERMS

Net 20 Days on Approved Credit.

All past due invoices will accrue a finance charge of 1.5% per month. This is an annual rate of 18%.

In the event that Rainbow Manufacturing Co., Inc. is required to engage a collection agency or attorney in order to enforce invoice payment, the account will be responsible for reimbursement of all fees charged Rainbow Manufacturing Co., Inc. by such entities.

CREDIT POLICY

Credit terms are available to companies having acceptable credit. Terms will be extended at the discretion of Rainbow Manufacturing Co., Inc. credit department upon verification of industry trade and business references. Until open credit terms are established, a fifty percent (50%) deposit may be required before production begins. If our credit investigation is not complete at the time the order is ready for will call or shipment, a request for payment of the balance in full will be made at that time.

All orders of more than \$5,000 will require a 50% deposit regardless of past credit. Rainbow Manufacturing Co., Inc. reserves the right to change its deposit requirements at any time.

PRICING / SPECIFICATIONS

All prices are manufacturers suggested retail prices F.O.B. Rainbow Manufacturing Co., Inc. factory Los Angeles, California, and are subject to change without notice. Possession of this price list does not constitute an offer to sell.

Dimensions listed in this retail price list are approximate and not exact. Rainbow Manufacturing Co., Inc. reserves the right to make changes or modifications to the product line when necessary without notice.

SPECIAL ORDERS

Special orders must be submitted in writing with an approved sketch or drawing. Custom configurations, colors, and features are available. Please call our customer service for pricing quotes. Allow extra time for special handling. Custom orders may be subject to a fifty percent (50%) deposit.

CANCELLATIONS

All orders are custom made to customer specification. **Orders in production may not be canceled.** Orders may not be canceled without written consent from Rainbow Manufacturing Co., Inc. Customer is responsible for the entire invoice cost of the order once production has begun.

SHIPPING / FREIGHT

All prices are F.O.B. Rainbow Manufacturing Co., Inc. factory Los Angeles, California. All freight & shipping charges are the sole responsibility of our customers. Orders will be shipped best way at the discretion of the factory unless otherwise noted on your purchase order. Rainbow Manufacturing Co., Inc. Releases responsibility to the freight company when they sign our bill of lading and leave our shipping dock. All freight damage claims must be made directly with the freight carrier.

LIMITED WARRANTY

Rainbow Manufacturing Co., Inc. warrants to the original retail purchaser that Rainbow Manufacturing Co., Inc. products will be free from defects in material and workmanship under normal single shift usage for (2) years from the original date of delivery, power modules for (1) years from the original date of delivery.

This warranty is not applicable to end-user customers who use Rainbow Manufacturing Co., Inc. products for rental purposes and is void for any damage due to misuse, abuse, neglect, accident, improper installation, water damage, excessive heat exposure or any repair or alteration performed by anyone other than Rainbow Manufacturing Co., Inc. This warranty does not apply to hairline scratches on laminate or to the color fastness of any laminate, edgbanding or rubber T-molding, as such colors can fade or darken with normal use and as a result of exposure to sunlight. Damage caused by common carrier during shipment is not included in this warranty. **THIS WARRANTY IS THE ONLY WARRANTY MADE BY RAINBOW MANUFACTURING CO., INC. ALL OTHER WARRANTIES WHETHER EXPRESS OR IMPLIED, INCLUDING IMPLIED WARRANTIES OF MERCHANTABILITY AND FITNESS FOR A PARTICULAR PURPOSE, ARE HEREBY DISCLAIMED.**

During this warranty period, if any Rainbow Manufacturing Co., Inc. product sold subject to this warranty proves to be defective in material and workmanship under normal use, the purchaser must contact an authorized Rainbow Manufacturing Co., Inc. dealer in writing who will arrange for inspection of such product. No product will be accepted for return unless prior authorization is obtained from Rainbow Manufacturing Co., Inc. in writing. The factory will inspect all returns and determine the degree of manufacturer responsibility for any defects. If it is determined the problem resulted from freight, handling, abuse, or improper installation, Rainbow Manufacturing Co., Inc. may offer to repair the products for a fee. Rainbow Manufacturing Co., Inc. is under no obligation to accept returned merchandise, or grant any credits for such merchandise in cases where a customer wishes to return merchandise for reasons other than Rainbow Manufacturing Co., Inc. error.

If the product is found to have defects in material or workmanship, Rainbow Manufacturing Co., Inc. shall, at its option either (1) repair such product free of charge or (2) replace such Rainbow product free of charge. All defective products must be returned to the factory for repair. In no event shall , Rainbow Manufacturing Co., Inc. be held liable for any costs incurred in returning product back to the factory or for any costs incurred in returning repaired or replacement product back to the customer from the factory. Rainbow Manufacturing Co., Inc shall not be held liable for any incidental or consequential damages including lost profits and loss of use of product while it is being repaired or replaced. **CUSTOMER'S SOLE REMEDY UNDER RAINBOW MANUFACTURING CO., INC. WARRANTY IS THE REPAIR OR REPLACEMENT OF DEFECTIVE PRODUCT. THIS IS THE EXCLUSIVE REMEDY FOR ANY BREACH OF WARRANTY. IN NO EVENT SHALL RAINBOW MANUFACTURING CO., INC. BE LIABLE FOR ANY INCIDENTAL, SPECIAL OR CONSEQUENTIAL DAMAGES OF ANY KIND, WHETHER FOR BREACH OF ANY WARRANTY, FOR BREACH OF REPUDIATION OF ANY OTHER TERM OR CONDITION OF SALE FOR NEGLIGENCE, ON THE BASIS OF STRICT LIABILITY, OR OTHERWISE.**

SELLER'S NON-PERFORMANCE / LIMITATION OF LIABILITY

Rainbow Manufacturing Co., Inc. shall not be held liable for any loss, delay, failure to deliver or damage caused by our inability to obtain labor, materials, fuel or supplies; fire, accidents, floods or adverse weather conditions; strikes, lockouts or other labor disputes; embargoes, governmental acts or requirements; wars, insurrections or riots, or by any other cause beyond reasonable control of ourselves or our suppliers.

Rainbow Manufacturing Co., Inc. shall not be held liable for any subsequent damages or losses caused by any failure on our part to produce and/or deliver an order correctly or in a timely fashion, regardless of whether such failure is the fault of Rainbow Manufacturing Co., Inc.

GOVERNING LAWS

The laws of the State of California shall govern this agreement.

CARB

Products in this catalog are CARB 93120 compliant for formaldehyde (phase 2).

TSCA Title VI compliant



CALIFORNIA PROPOSITION 65 WARNING

Products in this catalog can expose you to chemicals known to the State of California to cause cancer or birth defects or other reproductive harm. For more information go to <https://www.p65warnings.ca.gov/products/furniture-products>.

